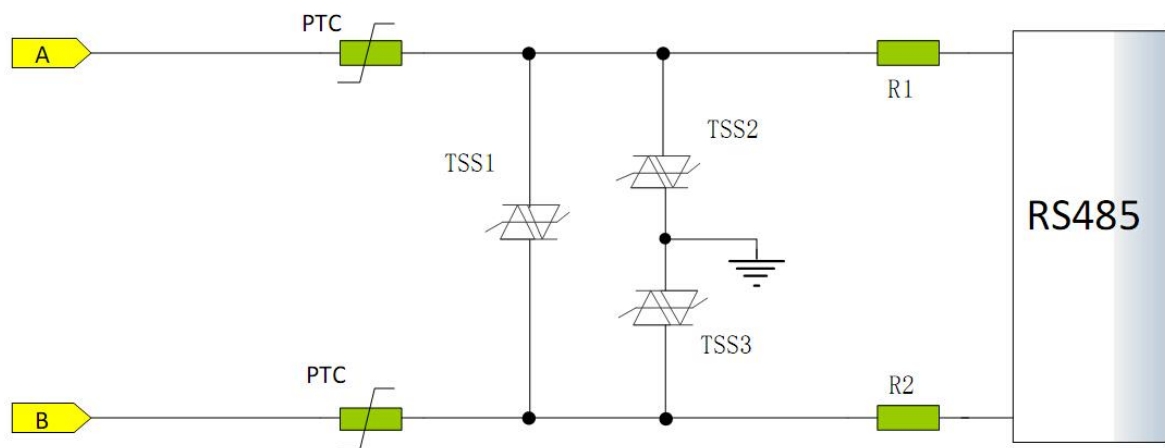


	Part Number	Vrwm	10/700 $\mu$ s	Package
GDT	BS3RD5-90A	90V	6KV	SMB
TVS1/TVS2/TVS3	SMBJ6.0CA	6V		
PTC	B250-120			



	Part Number	V <sub>rw</sub>	10/700μs	Package
TSS1/TSS2/TSS3	SMBJ6.0CA	6V	6KV	
PTC	B250-120			