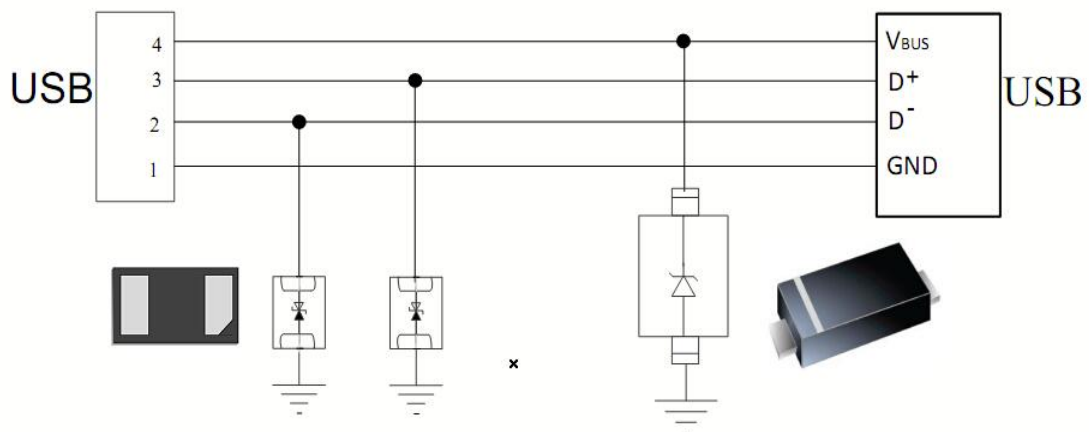


Part Number	V <sub>rwm</sub> (V)	C <sub>j(I/O-GND)</sub> @0V,1MHZ(PF)	V <sub>c@Ipp</sub> @8/2s(V)	Package	ESD (contact)	
BST143A053U	5	0.5	4	SOT143	8KV	
BST143A053L	5	2.5	15	SOT143	20KV	



Part Number	V <sub>rw</sub> m (V)	C <sub>j</sub> (I/O-GND) @0V,1MHZ(PF)	V <sub>c</sub> @I <sub>pp</sub> @8/2s(V)	Package	ESD (contact)	应用信号
BSD3C051V	5	0.5	20	SOD323	30KV	Vbus
BSD5C051V40	5	34	18	SOD523	30KV	Vbus
BDFN2C051V40	5	34	18	DFN1006	30KV	Vbus
BSD3C031L	5	1.2	21	SOD323	30KV	D+/D-
BSD5C051L	5	2.5	3	SOD523	11KV	D+/D-
BDFN2C051L	5	2.5	3	DFN1006	11KV	D+/D-