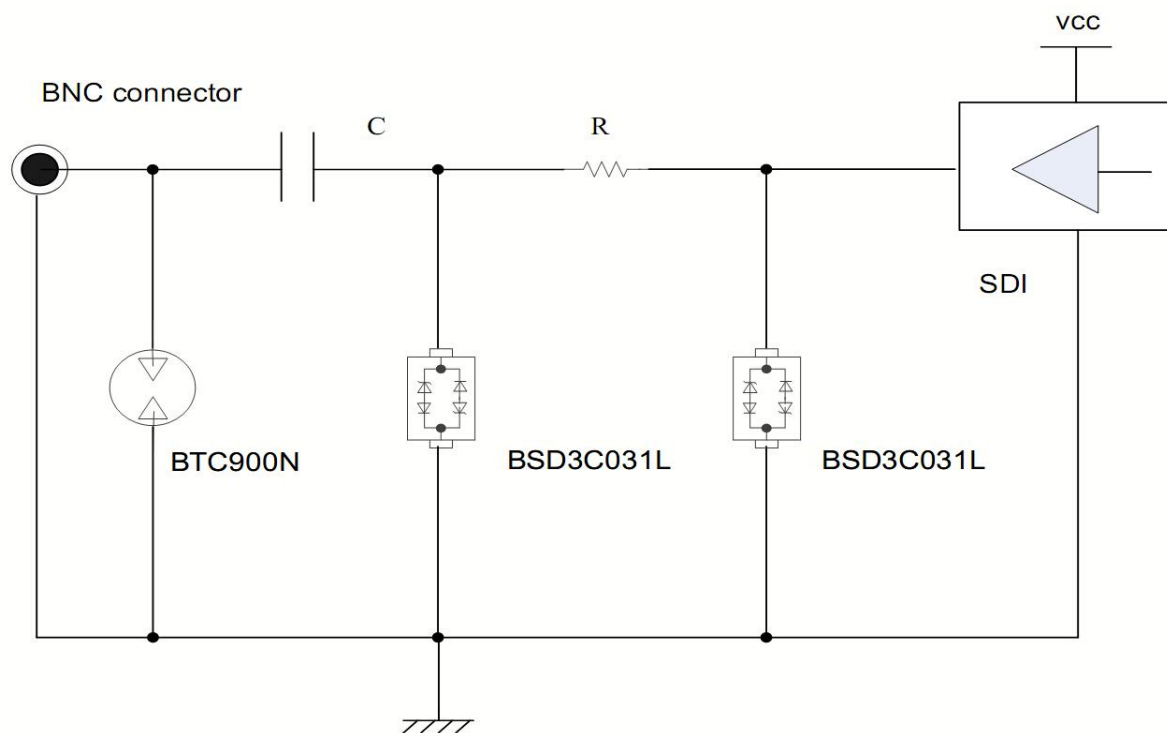


Part Number	Vrwm	10/700 μ s	Cj	Package	ESD(contact)	
BEP0080SC-MC	6V	6KV	20pF	SMB	6KV	高清
BEP0080TA-MC	6V	2KV	15PF	SMA	6KV	高清
BEP0080TB-MC	6V	4KV	9PF	SMB	6KV	高清
BEP0080SC	6V	6KV	80pF	SMB	6KV	标清



Part Number	Vrwm	10/700 μ s	Cj	Package	
BTC900N	90V	6KV	0.5pF	SMD4532	高清
BSD3C031L	5V		15PF	SMA	